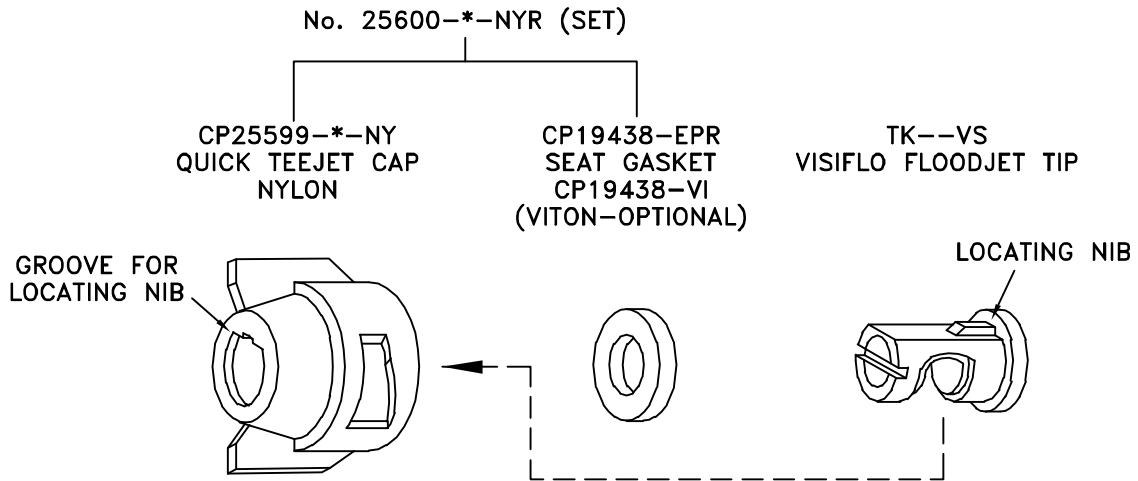


CP25599--NY QUICK TEEJET® CAP PERMITS AUTOMATIC POSITIONING OF VISIFLO FLOODJET® TIPS... PROVIDES REQUIRED SPRAY ALIGNMENT. FOR USE WITH ALL QUICK TEEJET BODY ASSEMBLIES.



COLORS OF QUICK TEEJET CAPS	COLOR CODE
BLACK	1
WHITE	2
RED	3
BLUE	4
GREEN	5
YELLOW	6
BROWN	7
ORANGE	8

*SPECIFY COLOR CODE (SEE CHART) UNLESS OTHERWISE SPECIFIED, A YELLOW (6) CAP WILL BE SUPPLIED.

HOW TO ORDER:

FOR CAP AND SEAT GASKET SET, SPECIFY SET No. AND COLOR CODE. EXAMPLE: 25600-6-NYR

FOR CAP ONLY, SPECIFY PART No. AND COLOR CODE. EXAMPLE: CP25599-6-NY

FOR SEAT GASKET, SPECIFY PART No. EXAMPLE: CP19438-EPR

PATENT
PENDING

DESCRIPTION:
CP25599--NY
QUICK TEEJET® CAPS
FOR USE WITH VISIFLO
FLOODJET® TIPS



Spraying Systems Co.®
Spray Nozzles and Accessories
P.O. Box 7900 - Wheaton, Il. 60189-7900

Rev. No. 1

Data Sheet No.

22198

Ref.

SHEET OF